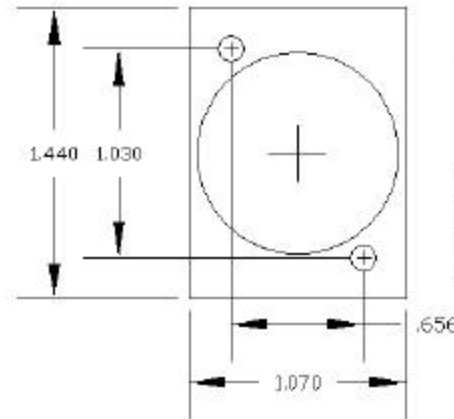
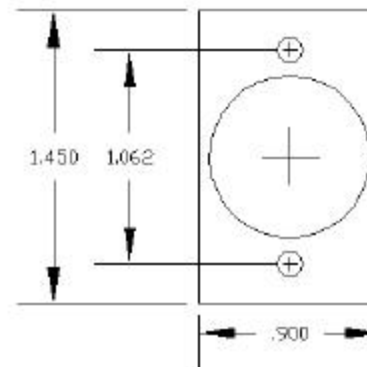


(SHEET METAL LAYOUT)
(OVERALL DEPTH OF BOARD IS 1.200")



FEMALE
MOUNTING HOLES = .136" DIA
CENTER HOLE = 1.000" DIA
OVERALL DEPTH = 1.530"

DMX PINOUT	
1	COMMON
2	DMX-
3	DMX+
4	NC
5	NC



MALE
MOUNTING HOLES = .136" DIA
CENTER HOLE = .800" DIA
OVERALL DEPTH = 1.100"

STARTING CHANNEL
SELECT SWITCH

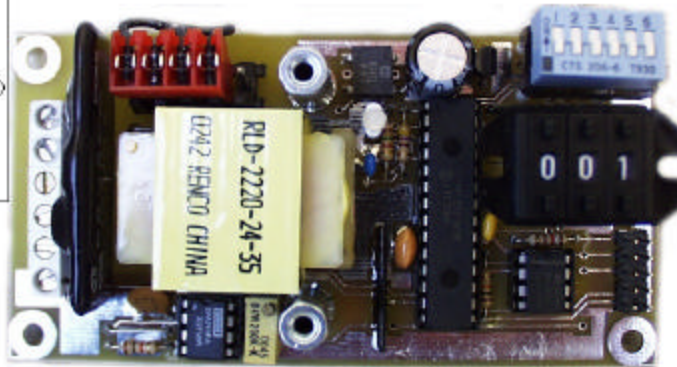
LINE VOLTAGE SELECT
J3 TO LEFT 115VAC
J3 TO RIGHT 230VAC

SIGNAL PRESENT LED
GREEN= SIGNAL PRESENT

DMX TERMINATE
NON DIM
FULL ON
NOT ASSIGNED
NOT ASSIGNED
NOT ASSIGNED

J2 WIRING

1	AC LINE
2	AC NEUTRAL
3	SWITCHED AC OUT (5A MAX)
4	NEUTRAL AC OUT
5	ANALOG OUT COMMON
6	ANALOG OUT



J1 WIRING

1	DMX COMMON	
2	-DATA	
3	+DATA	
4	COM	CCW LOCAL CONTROL
5	AN IN	10K
6	+5V	CW LOCAL CONTROL

DOVE SYSTEMS
3563 Sueldo Street Suite E, San Luis Obispo, CA 93401
(805)541-8292 fax (805)541-8293 dove@dovesystems.com

SINGLE CHANNEL DMX FLUORESCENT DECODER
SYSTEM RISER, SHEET METAL LAYOUT,
CONNECTOR PINOUTS, SWITCH SETTINGS
DRAWING NUMBER FLUORESCENT.DWG
24 SEPTEMBER 2003